

**FIREMONGERY™**

Compliance made easy

from



# CERTIFIED FIRE DOOR HARDWARE

A large white graphic of a fire door handle, consisting of a semi-circle with two circular knobs on either side. The text "Fire door keep shut" is centered within the semi-circle.

**Fire door  
keep shut**



Finding the right products for fire doors is critical, as it can save lives. With over 140 years of experience and expertise, Laidlaw is able to provide a quick and fool proof way to ensure that only fully compliant ironmongery for fire doors is selected. The Firemongery™ range allows you to choose the right products with confidence.

- All products listed in this brochure are fully tested and CE marked where applicable
- Many of these products are Certifire Approved
- Our experienced and qualified staff are readily available to offer you help and guidance whenever it's needed
- Buying from Laidlaw couldn't be simpler, either through one of our 7 Sales Centres or call us on **01902 600400**

To speak to one of our technical consultants or for further information on our services call - **01902 600400** now or go to our website at: [www.laidlaw.co.uk](http://www.laidlaw.co.uk)



## CE

### CE Marking

It is a legal requirement that products that fall within the scope of a **harmonised EN standard** and are intended for use on a fire, smoke and/ or escape door **must be CE marked** before it can be made available on the market.

The following items of hardware must have the CE mark clearly visible:

- **Locks and latches**
- **Single axis hinges**
- **Controlled door closing devices**
- **Electromagnetic hold-open door closers and wall magnets**
- **Door co-ordinating devices**
- **Panic or emergency exit devices**
- **Electromechanical locks**

## DoP

### Verified Performance

Where a product carries a CE mark a **Declaration of Performance (DoP) MUST** be made available by the company selling the product. It is a legal requirement for the DoP to be sent out with the product or to be available online.



### Certifire Approval

Certifire is an independent third party certification scheme that assures performance, quality, reliability and traceability of fire protection products. Although not a legal requirement, it is recognised by regulatory authorities worldwide. It is an internationally respected mark of fire safety and one of the most authoritative in the industry.

A quick guide to fire door product compliance

**C - Locks & Latches**

CE marked  
BS EN 12209

**D - Locking Cylinders**

BS EN 1303

**E - Lever Furniture**

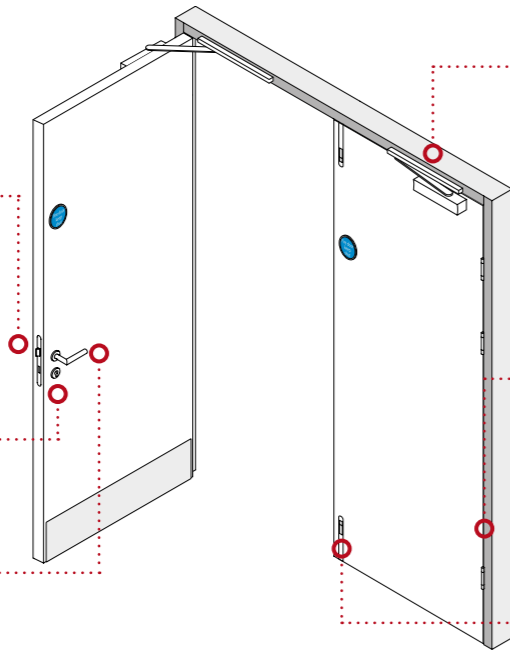
BS EN 1906

**G - Exit Hardware**

CE marked  
BS EN 1125  
BS EN 179

**I - Signage**

BS 5499:5



**B - Door Controls**

CE marked  
BS EN 1154  
BS EN 1155

**A - Hinges**

CE marked  
BS EN 1935

**F - Flush Bolts**

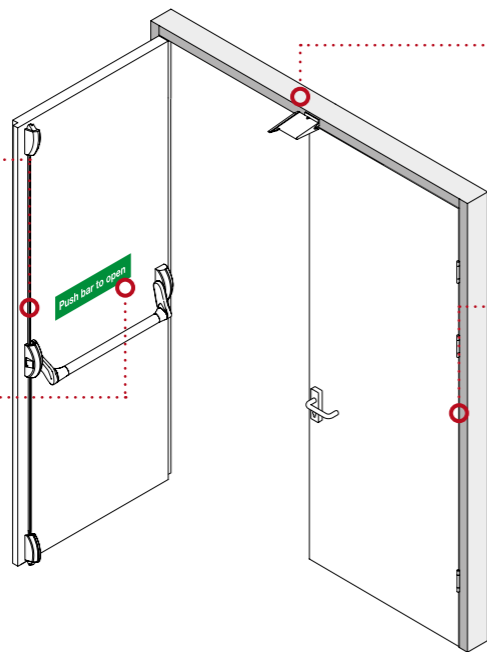
BS EN 12051

**H - Door Co-ordinators**

CE marked  
BS EN 1158

**J - Intumescent Seals**

BS 476: Pt.22  
BS 476: Pt 31  
EN 1634-3



**A - HINGES**

Satin stainless steel fixed pin or lift-off hinges to suit timber or metal doors  
These hinges are CE marked and compliant with EN 1935 Grade 13 for doors up to 120kg.



<b>37 800.1</b>	Fixed pin - 102 x 76mm Rounded corners
<b>37 800.2</b>	Fixed pin - 102 x 76mm Square corners
<b>IP H3</b>	Intumescent pack



<b>JH605LOLR-M</b>	Lift off hinge - 102 x 76mm Rounded corners - Left hand
<b>JH605LORR-M</b>	Lift off hinge - 102 x 76mm Rounded corners - Right hand
<b>JH605LOLS-U</b>	Lift off hinge - 102 x 76mm Square corners - Left hand
<b>JH605LORS-U</b>	Lift off hinge - 102 x 76mm Square corners - Right hand
<b>IP H3</b>	Intumescent pack

**B - DOOR CONTROLS**

Controlled closing can be achieved in a variety of ways with overhead surface mounted, concealed or transom mounted closers and floor springs.

These closers are CE marked and compliant with EN 1154.



<b>CE3F</b>	Budget Closer - Fixed power Size 3 - Silver finish
-------------	---



<b>31 604</b>	Economy Closer - Adjustable power Size 2-4 - Available in satin stainless steel and silver finishes
---------------	--



<b>31 9TD</b>	Commercial Closer - Adjustable power Size 2-4 Available in satin stainless steel and silver finishes
---------------	---



<b>TS5.225SA</b>	Slide arm closer - Adjustable power Size 2-4 Available in satin stainless steel and silver finishes
------------------	--



<b>324VP</b>	Cam action slide arm closer - Adjustable power Size 2-4 Available in satin stainless steel and silver finishes
--------------	---

B - DOOR CONTROLS



**31 822.30.01** Slide arm closer - Adjustable power Size 2-5; Backcheck. Door mounted Pull side or Transom mounted Push side Available in satin stainless steel and silver finishes



**31 822.30.06** Slide arm closer - Adjustable power Size 2-5; Backcheck. Door mounted Push side or Transom mounted Pull side Available in satin stainless steel and silver finishes



**31 828.30** Concealed closer - Adjustable power Size 2-4 for use on single action doors Available in satin stainless steel and silver finishes

**31 828.INT** Intumescent pack



**31 928.30** Concealed closer - Adjustable power Size 2-4. For use on single action doors. Supplied with required intumescent kit Available in satin stainless steel and silver finishes



**31 926.30** Concealed closer - Adjustable power Size 2-4. For use on double action doors. Supplied with required intumescent kit Available in satin stainless steel and silver finishes



**TS500INV/STD Invers** Transom mounted closer - Adjustable power Size 1-4 Suitable for double action doors. Supplied with required intumescent kit. Satin stainless steel finish

**TS550INV Invers EMHO** Version with electromagnetic hold-open function



**LA74V** Floor spring - Adjustable power Size 1-4. Supplied c/w fittings for single action doors. Satin stainless steel finish



**LA75V** Floor spring - Adjustable power Size 1-4. Supplied c/w fittings for double action doors. Satin stainless steel finish

\* Certifire approval held in manufacturers name/code

B - DOOR CONTROLS - ELECTROMAGNETIC HOLD-OPEN

Hold-open or swing-free door functions can be achieved with an electromagnetic door closer or hold-open device.

Some options (marked #) need to be interfaced with the building fire alarm system and others are wireless battery operated devices.

These electromagnetic devices are CE marked and compliant with EN 1155.



**# 27 984** Electromagnetic hold-open/free-swing closer. Fixed power Size 4 - Available in satin stainless steel and silver finishes



**# TS92EMF** Electromagnetic slide arm hold-open closer. Adjustable power Size 1-4 - Available in satin stainless steel and silver finishes



**# 31 929.30** Concealed electromagnetic closer - Adjustable power Size 2-4. Single action doors. Silver finish

**31 927.30** Concealed electromagnetic closer - Adjustable power Size 2-4. Double action doors. Silver finish

Intumescent pack included



**# 27 533CE** Wall mounted electromagnetic hold-open device. Silver finish. Use with a standard door closer.



**1328-A01** Door mounted wireless hold-open device activated by the sound of fire alarm - battery operated. Must be used with a standard door closer. Finish Black

**1328-A02** Finish Red

**1328-A04** Finish White

POWER SUPPLY UNITS

We offer a range of regulated DC power supply units to power electromagnetic door closers, floor springs, wall magnets and other devices requiring a 24V DC power supply.



**05 RL2402/4TRS** Power supply unit - Continuous power 24V 2 Amp

**05 RL2404/8TRS** Power supply unit - Continuous power 24V 4 Amp

BREAK GLASS UNITS

Break glass units for use on the secure side of the door.



**05 MCP4A-GF** Green double pole KAC resettable break glass unit

**05 MCP8A-GF** Green triple pole KAC resettable break glass unit

**05 SC070** Reset key for use with KAC break glass units - pack of 10

**05 CP3-LSRC** Triple pole with LED and sounder break glass unit

\* Certifire approval held in manufacturers name/code

**C - LOCKS & LATCHES**

Mortice lockcases available with modular case dimensions. Backset 60mm and centres 72mm (78mm bathroom lock).

Square or radiused forends.

Satin stainless steel finish.

These locks and latches are CE marked and compliant with EN 12209.

For escape sashlock to meet EN179 check the recommended levers opposite. More style options are available.



10 862.2	Nightlatch - Square forend
10 862R.2	Nightlatch - Radius forend
11 861	Sashlock - Square forend
11 861R	Sashlock - Radius forend
12 861	Deadlock - Square forend
12 861R	Deadlock - Radius forend
13 861	Latch - Square forend
13 861R	Latch - Radius forend
13 862	Bathroom lock - Square forend
13 862R	Bathroom lock - Radius forend
11 867 †	Escape sashlock with split follower - Square forend
11 867R †	Escape sashlock with split follower - Radius forend
IP L5	Intumescent pack for forend and strike plate only *
IP L15	Intumescent pack - complete lock jacket *

† Please note, these escape sashlocks are not covered by Certifire CF5436

\* Please check with us for full details

**D - CYLINDERS**

Cylinders for use with our mortice lockcases are available in single, double, or double with thumbturn variations.

Nickel plated finish.

These cylinders are compliant with EN 1303 with Grade 6 Durability and Grade 6 Key Related Security.

Cylinders can be supplied as new or replacement masterkeyed cylinders.

Further cylinder functions are available.

Please contact us for further information.



**01 620** Double cylinder with key operation both sides. Available in a range of lengths, equal and unequal.



**01 630** Double cylinder with key operation one side and thumbturn on the other. Available in a range of lengths, equal and unequal.



**01 610** Single cylinder with key operation. Available in a range of lengths.



**E - LEVER FURNITURE**

Rose mounted lever furniture available in satin stainless steel.

These levers are compliant with EN 1906 with Grade 3 or Grade 4 durability.

Complementary products are available.

Note: LA02SS & 54 801.19FRS are suitable for use on escape sashlocks 11 867 & 11 867/ R.



**CH100** Rose mounted return to door lever EN 1906 Grade 3. Grade 304 stainless steel.



**CH499** Rose mounted mitred lever EN 1906 Grade 3. Grade 304 stainless steel.



**LA02** Rose mounted return to door lever EN 1906 Grade 3. Grade 304 stainless steel. Suitable for use with 11 867/R



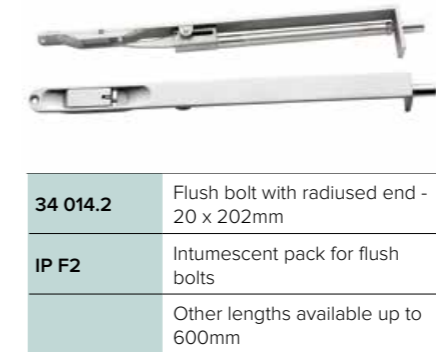
**54 801.19FRS** Rose mounted return to door lever EN 1906 Grade 4. Grade 316 stainless steel. Suitable for use with 11 867/R

**F - FLUSH BOLTS**

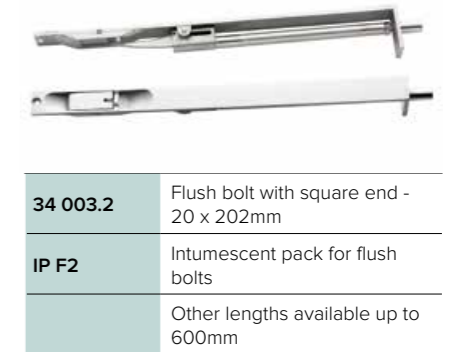
Lever action flush bolts are available for use on double doors to keep the inactive door locked.

Satin stainless steel.

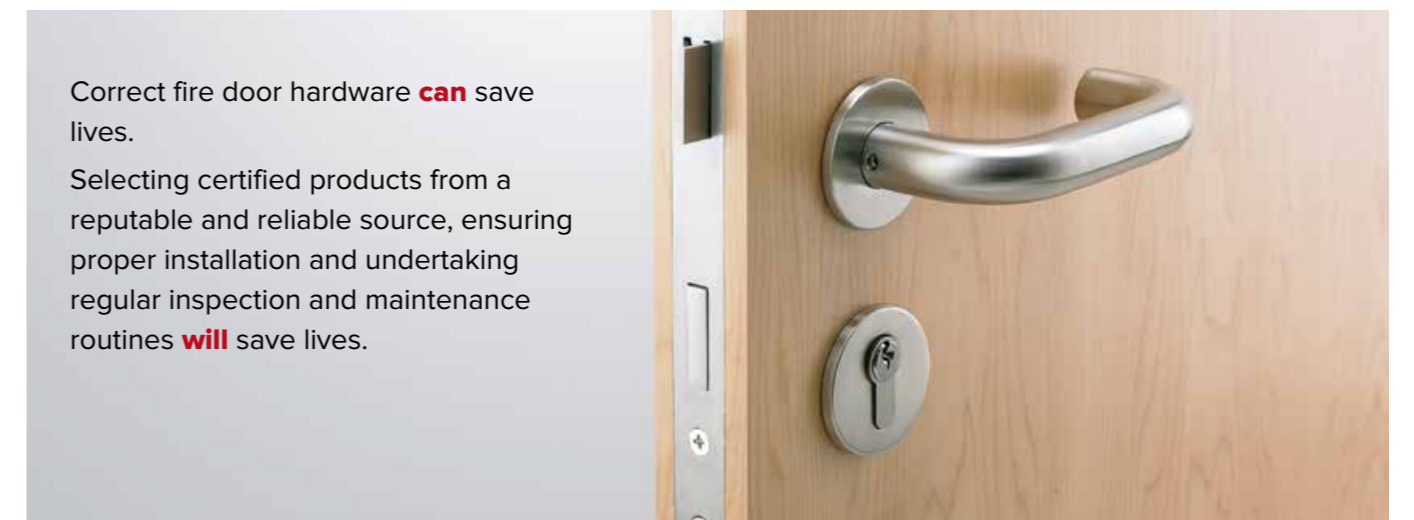
Tested and classified under EN 12051 and graded as suitable for use on fire doors.



**34 014.2** Flush bolt with radiused end - 20 x 202mm  
**IP F2** Intumescent pack for flush bolts  
Other lengths available up to 600mm



**34 003.2** Flush bolt with square end - 20 x 202mm  
**IP F2** Intumescent pack for flush bolts  
Other lengths available up to 600mm



Correct fire door hardware **can** save lives.

Selecting certified products from a reputable and reliable source, ensuring proper installation and undertaking regular inspection and maintenance routines **will** save lives.

**G - EXIT HARDWARE**

Panic exit devices operated by "Push Bar" or "Touch bar".

All units are powder coated silver.

These units are CE marked and compliant with EN 1125 for panic exit applications.



**LA30.278** Push bar panic latch.



**LA30.276** Push bar vertical panic bolts for single doors.



**LA30.277** Push bar panic latch and bolt combination for rebated double doors



**LA30.200EA** Knob operated outside access for LA30 series panic exit devices



**LA30.200LEA** Lever operated outside access for LA30 series panic exit devices



**59 841.1** Touch bar panic latch for doors up to 1200mm wide

**59 841.2** Touch bar panic latch for doors up to 900mm wide



**59 840.1** Touch bar vertical panic bolt for doors up to 1200mm wide

**59 840.2** Touch bar vertical panic bolt for doors up to 900mm wide



**36 849.KE/NC** Knob operated outside access for 59 800 series panic exit devices



**36 849.LE/NC** Lever operated outside access for 59 800 series panic exit devices

\* Certifire approval held in manufacturers name/code

**H - DOOR CO-ORDINATOR**

Door co-ordinator for rebated double doors.

CE marked and compliant with EN 1158.

Available in satin stainless steel & aluminium finishes.



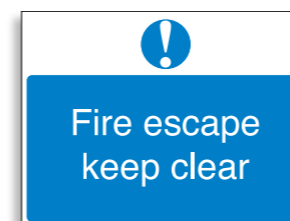
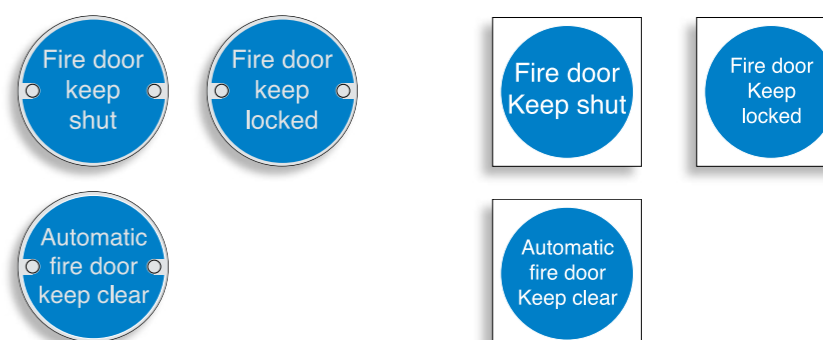
**33 037CE** Door co-ordinator

**I - SIGNAGE**

Mandatory door mounted fire door signage and wall mounted escape route signage.

All signage complies with BS 5499:5

This is a small selection of our full signage range. Contact us for more details.



<b>60 601</b>	Fire door keep shut - 76mm dia. - Satin stainless steel or aluminium.
<b>60 602</b>	Fire door keep locked - 76mm dia. - Satin stainless steel or aluminium.
<b>60 617</b>	Automatic fire door keep clear - 76mm dia. - Satin stainless steel or aluminium.

<b>60 041</b>	Fire door keep shut - 80mm Self adhesive
<b>60 031</b>	Fire door keep locked 80mm - Self adhesive
<b>60 030</b>	Automatic fire door keep clear - 80mm - Self adhesive



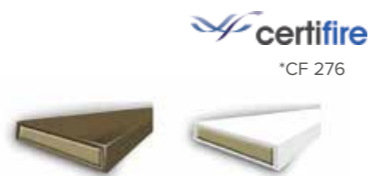
**J - ACCESSORIES**

Door viewer 200° viewing angle suitable for FD30 fire doors.



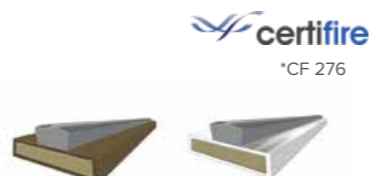
<b>JV944SC</b>	For doors 35 - 55mm thick Satin chrome finish
<b>JV945SC</b>	For doors 50 - 70mm thick Satin chrome finish
	Intumescent kit included

Intumescent strips for fire doors rated FD30 and FD60.



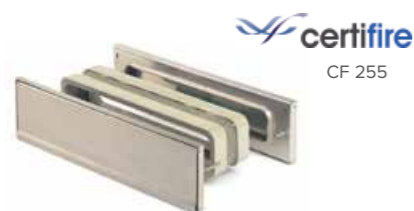
<b>AFFOB1542X</b>	FIRE ONLY - brown FD30 - 15 x 4 x 2100mm
<b>AFFOB2042X</b>	FIRE ONLY - brown FD60 - 20 x 4 x 2100mm
<b>AFFOW1542X</b>	FIRE ONLY - white FD30 - 15 x 4 x 2100mm
<b>AFFOW2042X</b>	FIRE ONLY - white FD60 - 20 x 4 x 2100mm

Intumescent strips for fire and smoke doors rated FD30S and FD60S.



<b>AFFSB1542X</b>	FIRE & SMOKE - brown FD30S - 15 x 4 x 2100mm
<b>AFFSB2042X</b>	FIRE & SMOKE - brown FD60S - 20 x 4 x 2100mm
<b>AFFSW1542X</b>	FIRE & SMOKE - white FD30S - 15 x 4 x 2100mm
<b>AFFSW2042X</b>	FIRE & SMOKE - white FD60S - 20 x 4 x 2100mm

Letterplates and frames in aluminium and stainless steel for FD30 and FD60 doors.



<b>LP05-44</b>	Aluminium frames and flaps rated FD30 for doors 42-47mm thick
<b>LP06-44</b>	Aluminium frames and flaps rated FD30 incl smoke seals for doors 42-47mm thick
<b>LP02-44</b>	Mild steel/Stainless steel frames and flaps rated FD60 for doors 42-47mm thick
<b>LP03-44</b>	Mild steel/Stainless steel frames and flaps rated FD60 incl. smoke seals for doors 42-47mm thick



To speak to one of our technical consultants or for further information about Fire safety or any of our services, call **01902 600400** now or go to our website at: [www.laidlaw.co.uk](http://www.laidlaw.co.uk)

\* Certifire approval held in manufacturers name/code

**ORBIS INTEGRATED DOORSETS**

We offer a range of fully tested and certified internal integrated doorsets. They are available in 4 materials:

- Veneer - 8 natural timber options including Oak and Ash
- Laminate - A wide range of solid colours and wood veneer finishes
- Painted - Available in any RAL, NCS or special colour
- Primed - Ready for on-site painting

The benefits of choosing our integrated doorsets include:

- Our doors are prepared in the factory for hardware which is factory fitted where appropriate or supplied in door packs for easy installation
- As the door and hardware are provided as a complete package, we take responsibility for compliance with the required Global Assessment fire test criteria
- We specify everything needed to ensure full compliance including the correct hinge pads, lock kits, jackets for locks, flushbolts and concealed door closers.

Please contact us for more information.



It is important that fire doors are kept in good working order through a regular and appropriate maintenance regime. We offer guidelines in our Maintenance Guide available at [www.laidlaw.co.uk](http://www.laidlaw.co.uk) or call us on **01902 600400** for more information.

**AUTOMATIC DOORS**

We offer a range of fully automatic single or double door operators for single swing doors.

These operators have 120 minute Exova Warrington fire test certification.

These operators are available in a range of models to fulfil any customer demand:

- With integrated emergency lighting
- Compact and elegant design
- Reliable in any application

Each Orbis automatic swing door operator features:

- Orbis LET/SLT operator with slide or articulated arm
- Spring or motor powered door closing
- Wind stop feature
- Fully integrated with access control systems
- Secure interlock feature
- Digital selector (available as a package)

Please contact us for more information.



**FIRE DOOR INSPECTION**

Fire doors and their associated hardware are not fit and forget products. It is critical that thorough inspections and maintenance routines are undertaken regularly to keep all fire doors in good working order.

For professional advice on meeting their responsibilities under the Fire Safety Order, it is recommended that hospitals, offices, schools and public buildings should always use a Certificated FDIS Inspector. At Laidlaw, we have qualified FDIS Certificated Inspectors who can visit, inspect and advise on any fire safety needs.

**STANDARDS SUMMARY**

The following details are a brief summary of those harmonised ironmongery standards which allow products to be CE marked in accordance with the Construction Products Regulation.

Please contact us if you require more detailed information.

**GRADING**

The standards employ a degree of standardisation for some aspects of the classification system such as:

**Category of Use** - Generally an assessment of the type of application such as by members of the public and the frequency of use

**Durability** - Usually through testing to a range of test cycles.

**Door Mass** - Usually a combination of max. door weight and width.

**Fire Resistance** - Items which do not contribute to the fire resistance of a door are categorised [0]. Those with a fire resistance requirement are subject to fire testing to EN 1634.

**Safety** - Some products have an essential safety function and the standard therefore only recognises Grade 1 for such applications.

**Corrosion Resistance** - Classified according to EN 1670 testing

**Security** - As with Safety, this has a binary function 0/1 where 0 is no safety requirement.

power size	max. door weight (kg)	max. door width (mm)
1	20	750
2	40	850
3	60	900
4	80	1100
5	100	1250
6	120	1400
7	160	1600

**Digit 3 - EN 1154 & EN 1155** classifies the door closer power size according to the max. door weight and width.

**LOCKS AND LATCHES**

**BS EN 12209** for 'Mechanically Operated Locks & Latches'

**Digit 1 - Category of Use [1 - 3]**

**Digit 2 - Durability [A - W]**

Combining test cycles and side load

**Digit 3 - Door Mass [1 - 9]**

**Digit 4 - Fire Resistance [0 - 1]**

**Digit 5 - Safety [0 - 1]**

**Digit 6 - Corrosion Resistance [0/A - G]**

**Digit 7 - Security [1 - 7]**

**Digit 8 - Field of Application [A - R]**

Multiple categories of lock function

**Digit 9 - Key Operation [0/A - H]**

**Digit 10 - Type of Spindle [0 - 4]**

**Digit 11 - Key Identification [0/A - H]**

**DOOR CLOSERS**

**BS EN 1154** measures performance for 'Controlled Door Closing Devices'.

**BS EN 1155** measures performance for 'Electrically Powered Hold-Open Devices' and is relevant to this aspect of 'Electromagnetic hold-open closers'

**Digit 1 - Category of Use [3 - 4]**

Defines the angle of controlled closing

**Digit 2 - Durability [8]**

**Digit 3 - Door Mass [1 - 7]**

See table below left

**Digit 4 - Fire Resistance [0 - 1]**

**Digit 5 - Safety [1]**

**Digit 6 - Corrosion Resistance [0 - 4]**

**DOOR CO-ORDINATOR**

**BS EN 1158** for 'Door Co-ordinator Devices'

**Digit 1 - Category of Use [3]**

**Digit 2 - Test Cycles [5 or 8]**

**Digit 3 - Door Mass [3 - 7]**

Grading includes distance between hinge centrelines

**Digit 4 - Fire Resistance [0-1]**

**Digit 5 - Safety [1]**

**Digit 6 - Corrosion Resistance [0 - 4]**

**HINGES**

**BS EN 1935** for 'Single Axis Hinges'

**Digit 1 - Category of Use [1 - 4]**

Grade 4 is 'Severe Duty'

**Digit 2 - Durability [3/4/7]**

**Digit 3 - Door Mass [0 - 7]**

**Digit 4 - Fire Resistance [0 - 1]**

**Digit 5 - Safety [1]**

**Digit 6 - Corrosion Resistance [0 - 4]**

**Digit 7 - Security [0 - 1]**

**Digit 8 - Hinge Grade [A - R]**

Multiple grades as detailed below.

hinge grade	max. door mass (kg)	test cycles
4	20	200,000
7	40	200,000
9	60	25,000
10	60	200,000
11	80	200,000
12	100	200,000
13	120	200,000
14	160	200,000

**PANIC & EMERGENCY HARDWARE**

Hardware designed to provide escape in an emergency is covered by 2 standards with clearly defined applications.

**BS EN 1125** for 'where members of the public are present ...'

**BS EN 179** for 'where occupants will have prior knowledge of the exit...'

**Digit 1 - Category of Use [3]**

**Digit 2 - Durability [6 - 7]**

**Digit 3 - Door Mass [5 - 6]**

**Digit 4 - Fire Resistance [0 - 1]**

**Digit 5 - Safety [1]**

**Digit 6 - Corrosion Resistance [3 - 4]**

**Digit 7 - Security [2] EN 1125**

**Digit 7 - Security [2 - 4] EN 179**

**Digit 8 - Projection of Device [1 - 2]**

Grade 2 is < 100mm

**Digit 9 - Type of Device [A - B]**

Varies according to EN 1125 or EN 179

**Digit 10 - Field of Application [A - D]**

Determines door configurations - e.g single or double door etc.



**Laidlaw Architectural Ironmongery**  
Strawberry Lane, Willenhall,  
West Midlands WV13 3RS  
T: 01902 600400  
F: 01902 600490  
E: info.willenhall@laidlaw.co.uk

**Bristol**  
Unit 4, Marketside Industrial Estate, Albert  
Road, St. Phillips, Bristol BS2 0XS  
T: 0117 300 3980  
F: 0117 980 3058  
E: info.bristol@laidlaw.co.uk

**Gateshead**  
Unit 1 Halifax Court, Halifax Road,  
Dunston, Gateshead  
Tyne & Wear NE11 9JT  
T: 0191 461 4100  
E: info.gateshead@laidlaw.co.uk

**Glasgow**  
Lanarkshire Eurocentral, Maxim 1 - 1st floor  
2 Parklands Way, Eurocentral  
Motherwell ML1 4WR  
T: 0141 447 0393  
E: info.glasgow@laidlaw.co.uk

**Liverpool**  
3 - 5 Century Building, Summers Road,  
Brunswick Business Park  
Liverpool L3 4BL  
T: 0151 709 9438  
F: 0151 709 9455  
E: info.liverpool@laidlaw.co.uk

**London**  
Unit 111 I, Business Design Centre  
52 Upper Street, Islington  
London N1 0QH  
T: 0207 436 0779  
E: info.london@laidlaw.co.uk

**Sheffield**  
Unit 17, Riverside Court,  
Don Road, Sheffield S9 2TJ  
T: 0114 243 8916  
F: 0114 242 6591  
E: info.sheffield@laidlaw.net

**Willenhall**  
Strawberry Lane, Willenhall,  
West Midlands WV13 3RS  
T: 01902 600400  
F: 01902 600490  
E: info.willenhall@laidlaw.co.uk

**Laidlaw Balustrades**  
Strawberry Lane, Willenhall,  
West Midlands WV13 3RS  
T: 01902 600421  
E: balustrades@laidlaw.co.uk

**Laidlaw Security Systems**  
Unit 5 Halifax Court, Halifax Road,  
Dunston, Gateshead  
Tyne & Wear NE11 9JT  
T: 0191 449 0002  
E: securitysales@laidlaw.co.uk

**Laidlaw Locking Systems**  
Unit 5 Halifax Court, Halifax Road,  
Dunston, Gateshead  
Tyne & Wear NE11 9JT  
T: 0191 460 1874  
F: 08701 973723

Laidlaw is the UK's largest and most experienced independent supplier of ironmongery, integrated doorsets, security systems and balustrades. Our products and services work together to provide a seamless approach that meets your budget and timescales. By working in true partnership with our customers we create the best possible first and last impression for any building project.